

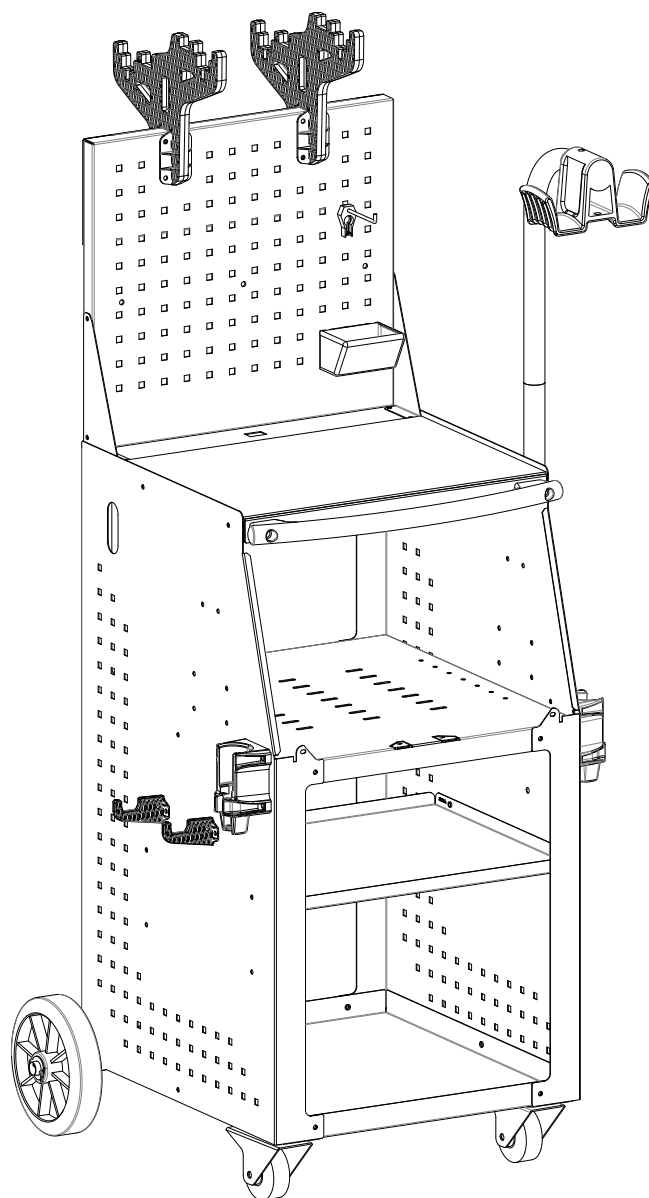


Notice de montage

Assembly manual

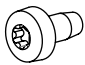
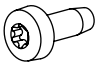




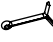



Montageanleitungen

CHARIOT / TROLLEY / WAGEN
DENT 1600





DENT 1600

Tableau récapitulatif / Summary table / Zusammenfassende Tabelle

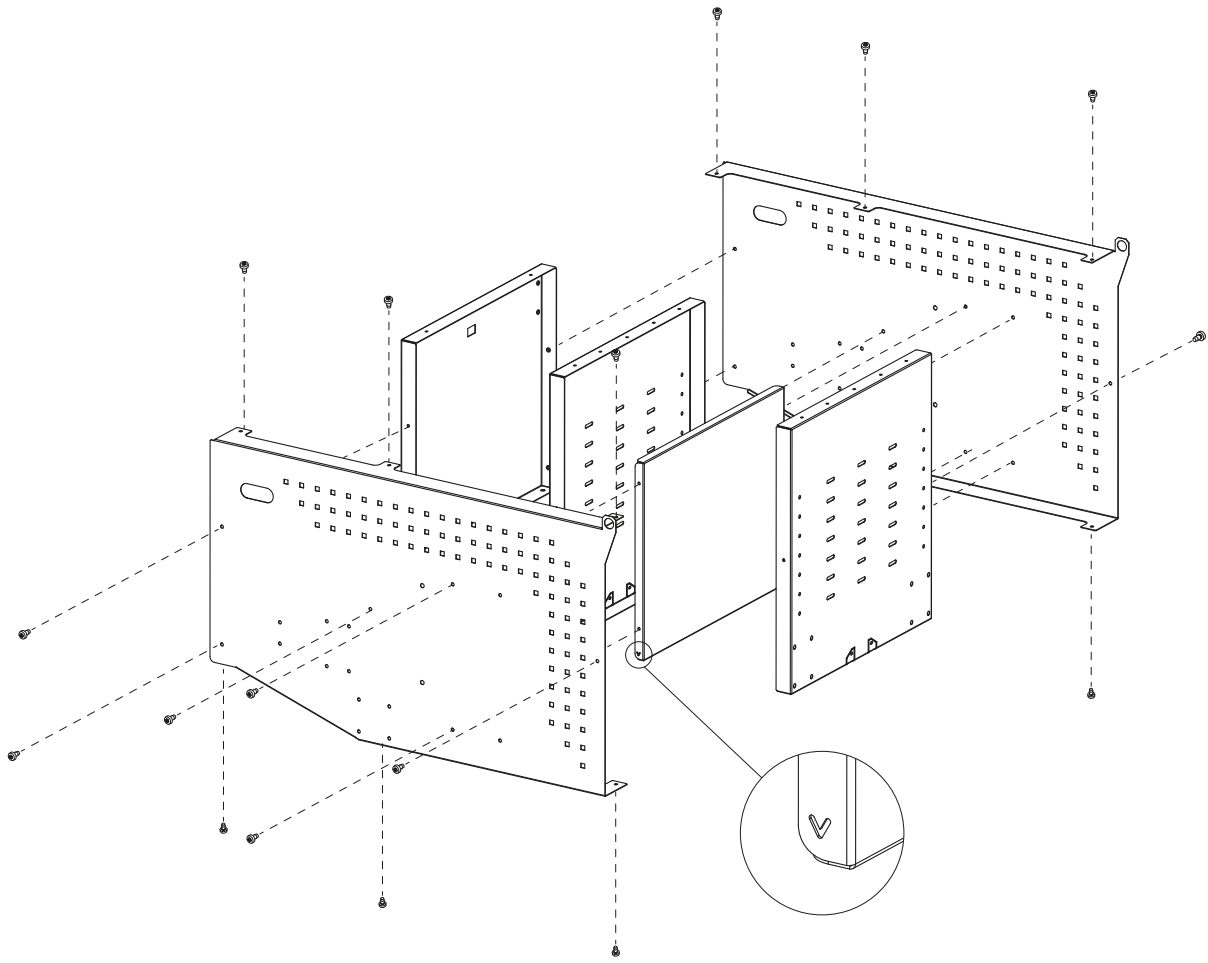
	Dimensions	Name	Quantity	Reference
	M6 x 12	A	x 48	43356
	M6 x 20	B	x 14	41026
	M8 x 12	C	x 8	41281
	M8 x 40	D	x 2	42066
	M6	E	x 16	41151
	M8	F	x 10	41157
	-	G	x 2	42032
	20 x 35 x 1.5	H	x 2	41214
	D4.2 x 9.5	J	x 1	41086
	M6 x 10	K	x 2	41288

Outils / Tools / Werkzeug

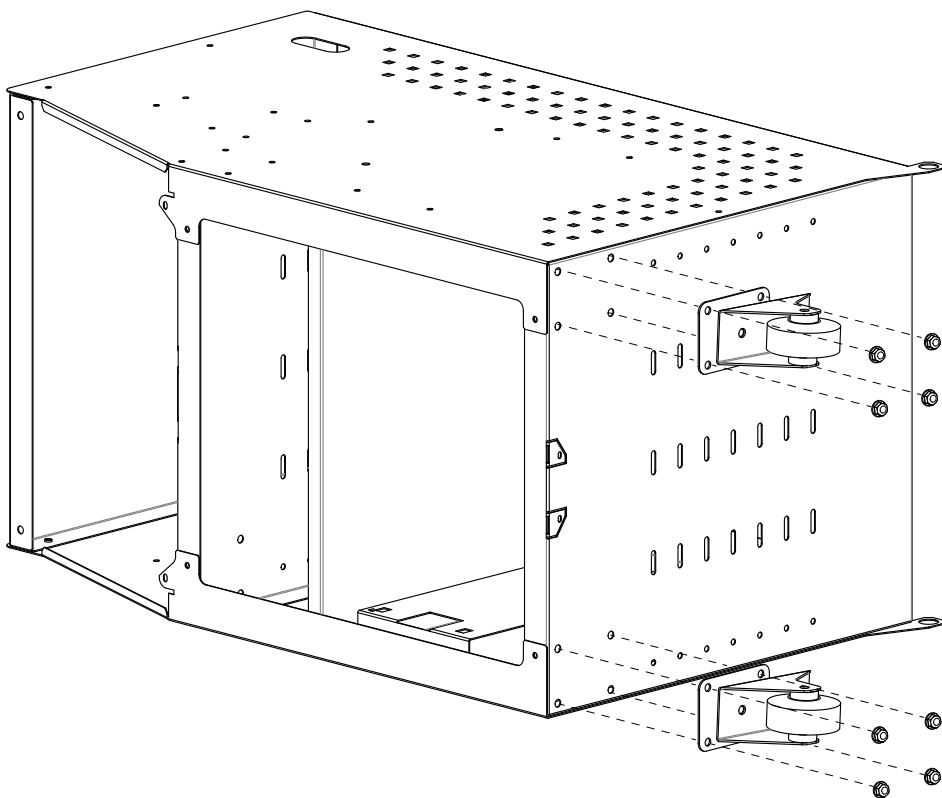
	
M6 (6 Nm max) TORX 30	M10 (30 Nm max)

DENT 1600

1 | 22 A

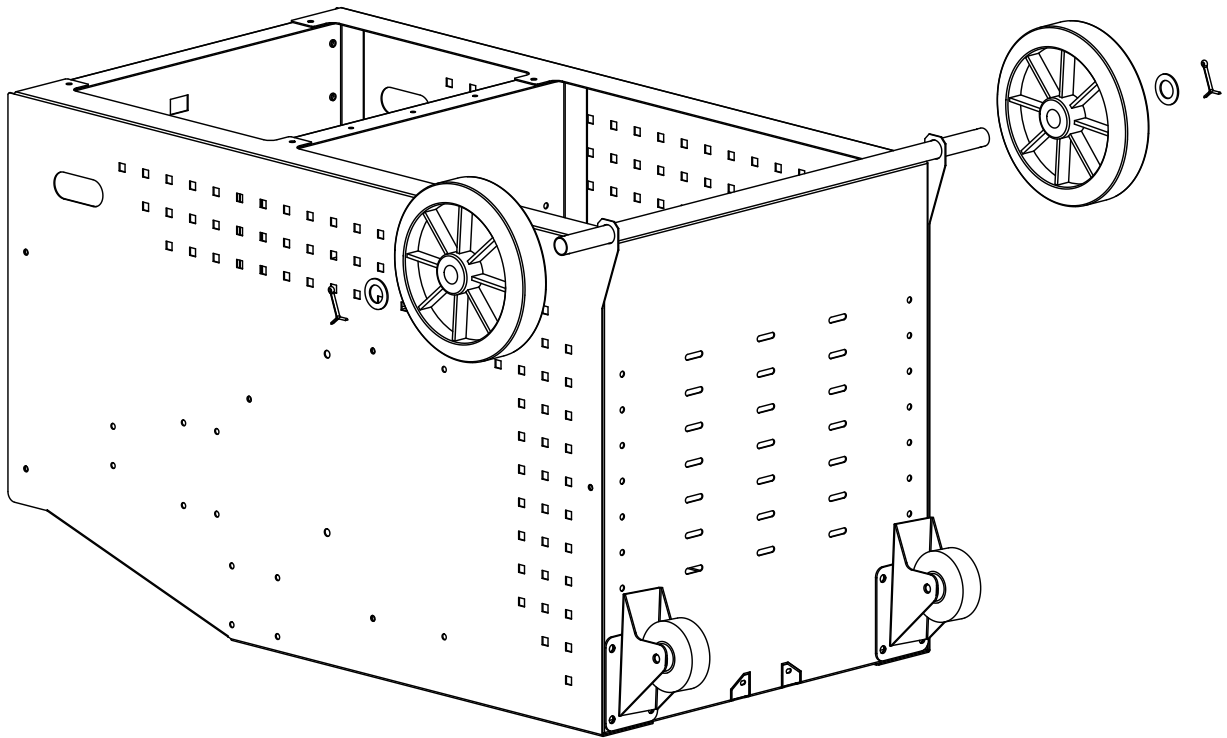


2 | 8 C + 8 F

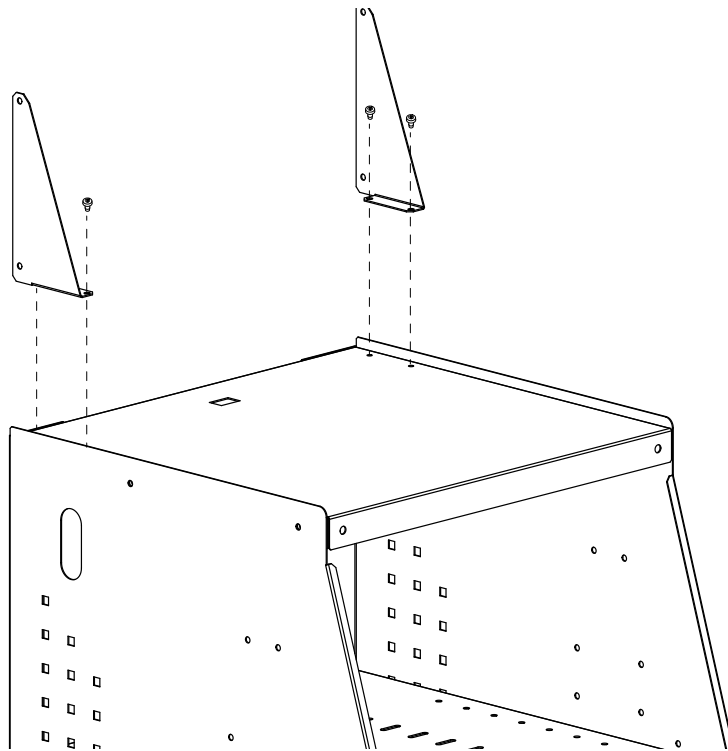


DENT 1600

3 | 2 G + 2 H

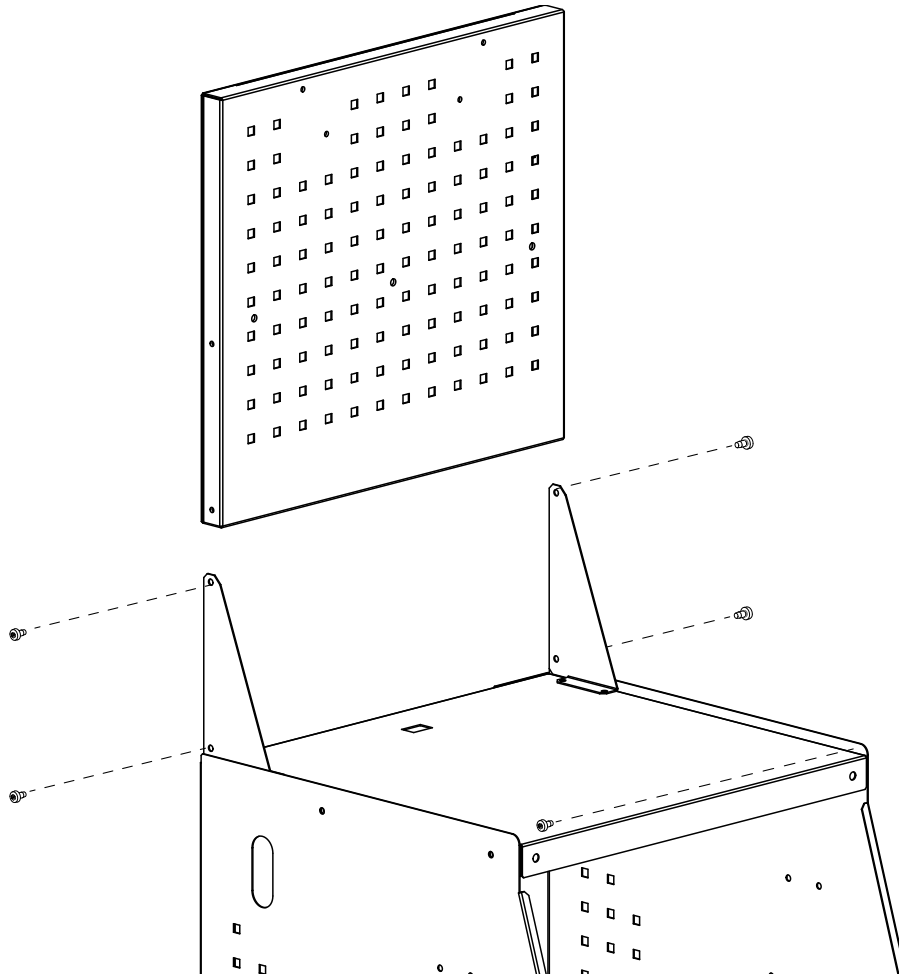


4 | 4 A

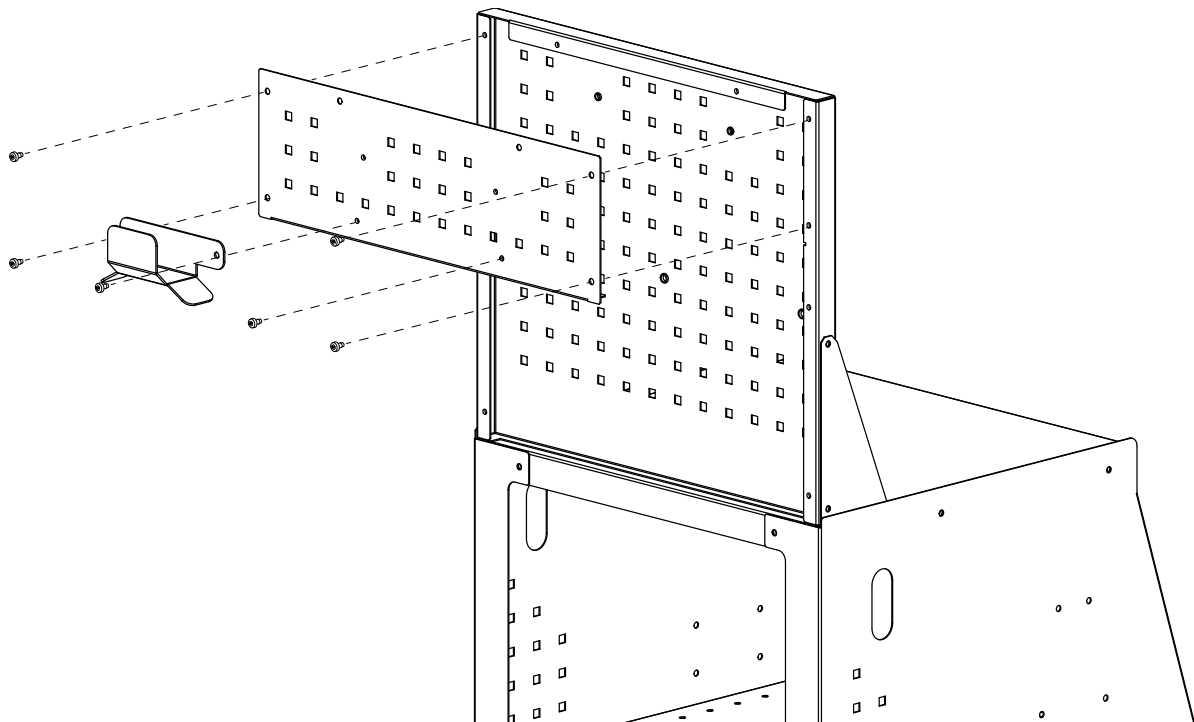


DENT 1600

5 | 4 A

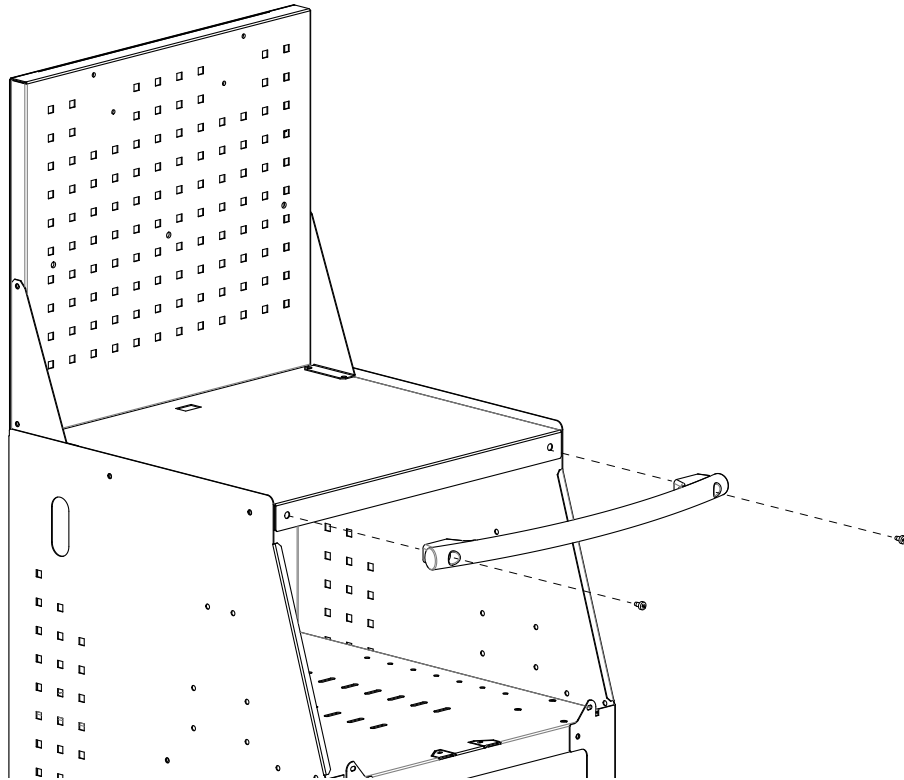


6 | 6 A

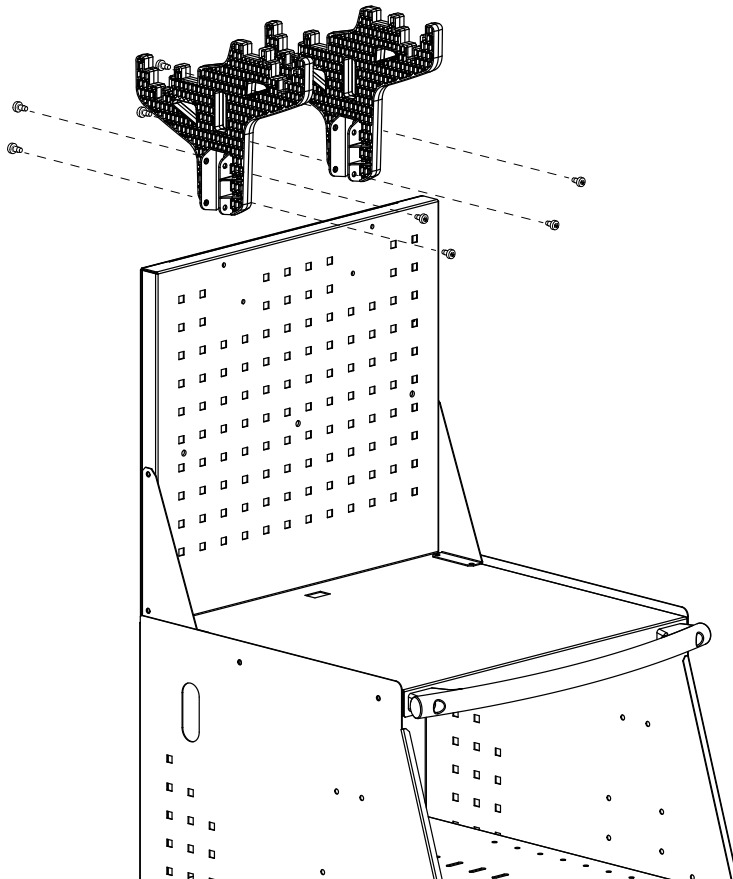


DENT 1600

7 | 2 D + 2 F

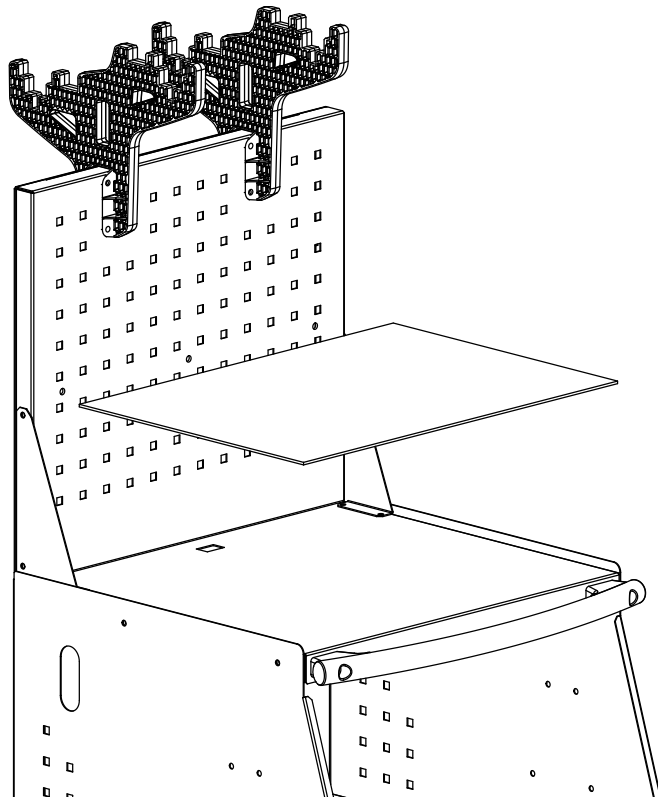


8 | 8 A

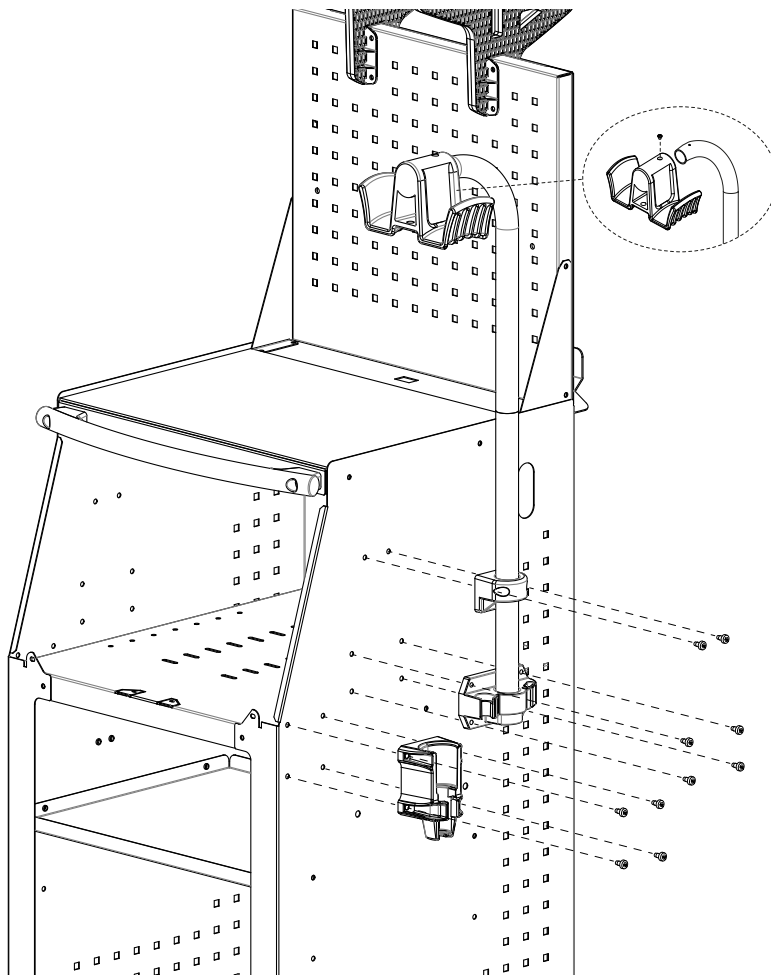


DENT 1600

9 |

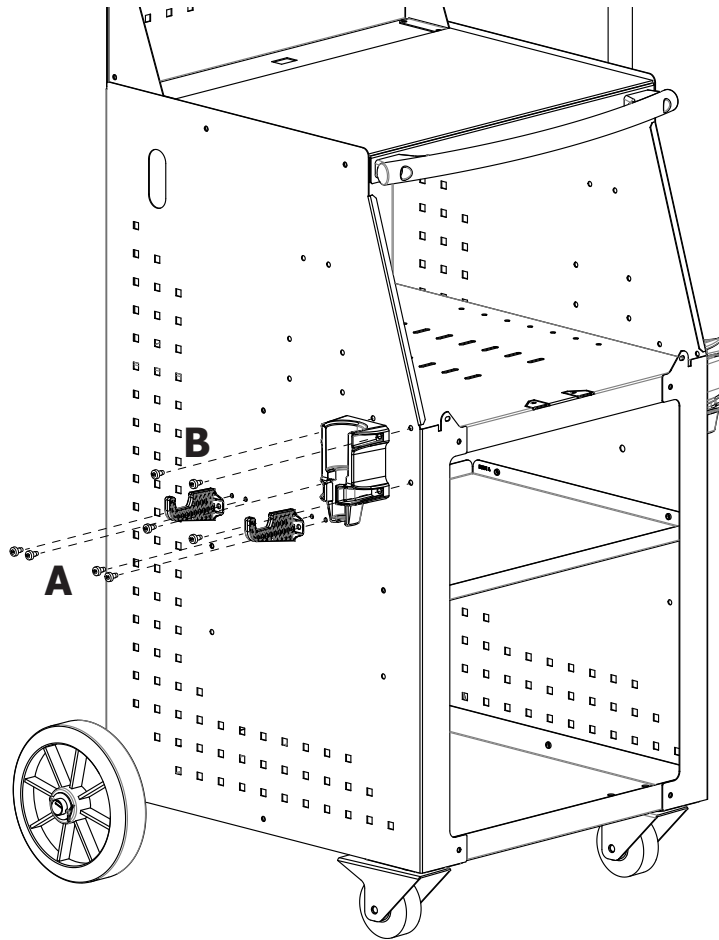


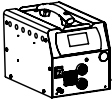
10 | 10 B + 10 E / 1 J

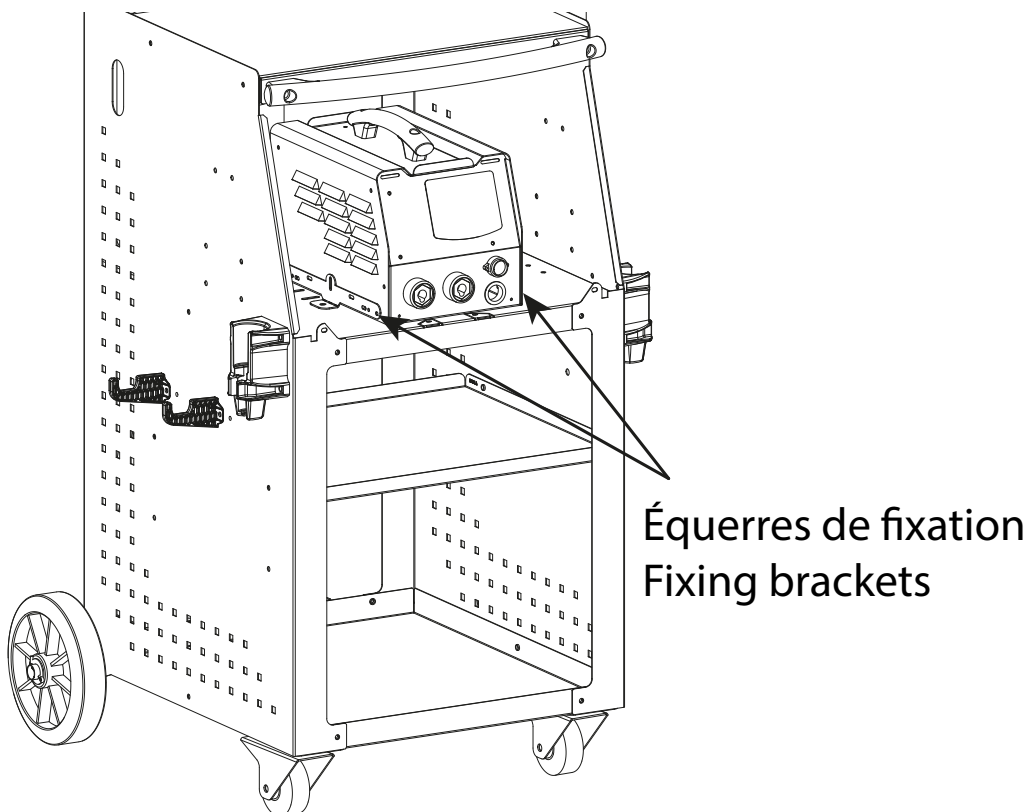


DENT 1600

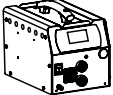
11 | 4 A + 4 B + 4 E



12 |  x1 - 2 K + 2 E



DENT 1600

20 |  x2

